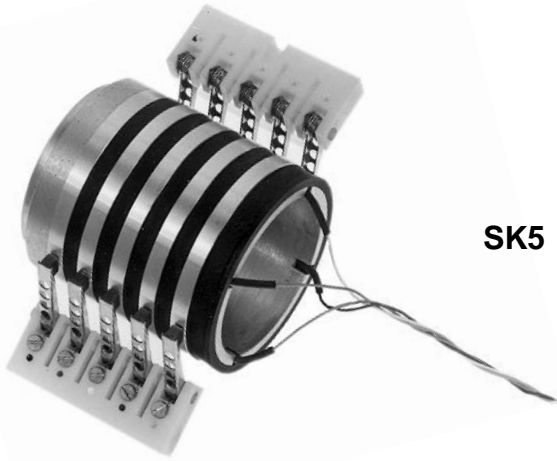


SK5, SK6, SK12

Slipring Assemblies



SK5

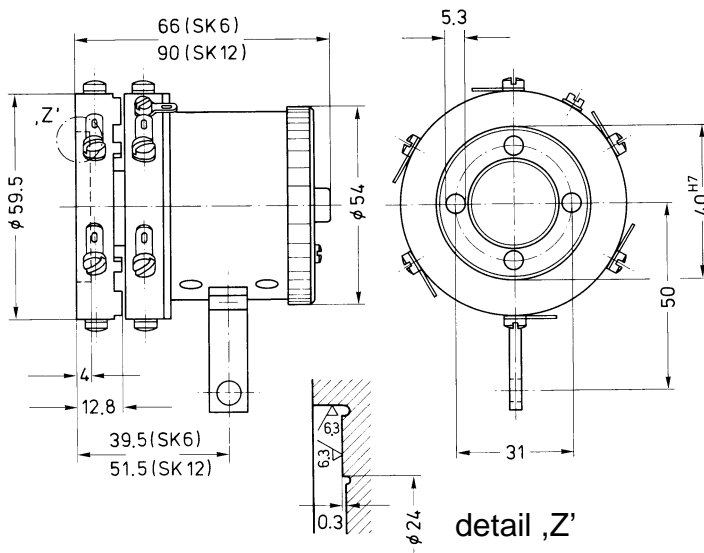


SK6

Special features

- Low wear
- High transmission quality
- SK 6 and SK 12 for mounting to stub shafts with easy-lift brush assemblies
- SK 5 for central mounting on shafts
- Low thermal voltages
- Very low change in contact resistance

Slipring Heads SK 6 and SK 12



Mounting plate

